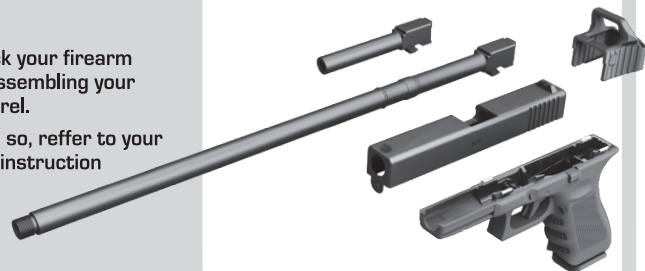


BARREL INSTALLATION

Step 1

- * Safety check your firearm before disassembling your existing barrel.
- * When doing so, refer to your gun manual instruction



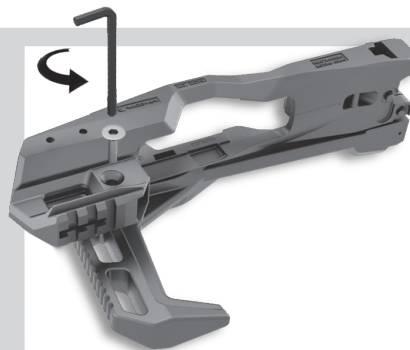
Step 2

Install your 16" Glock barrel in the same manner as described for your original barrel in the firearm user manual.



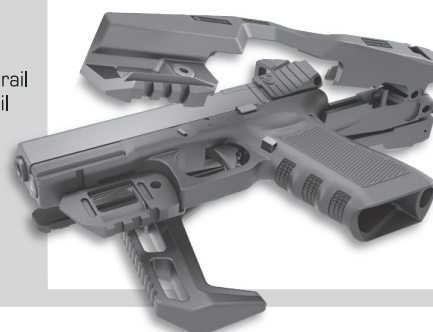
Step 5

Secure the stock [11] in the folded position (see "folding the stock"). Open the screw with provided hex key [17].



Step 6

Lift the left frame. Insert the pistol into the slotted rail position and place the beaver tail into the rear tail slot.



Step 9

Join the two units until you hear a locking click sound



Step 10

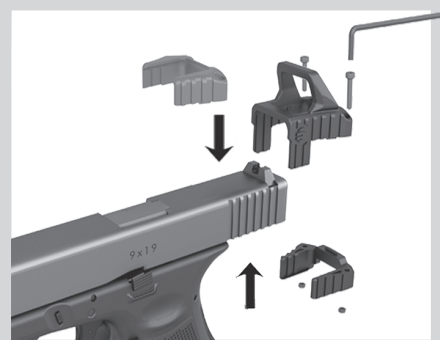
To unlock the TFA shroud, push on the release button [1] located on the lower left side while moving the TFA unit forward [2]



FOLDING THE BUTTSTOCK

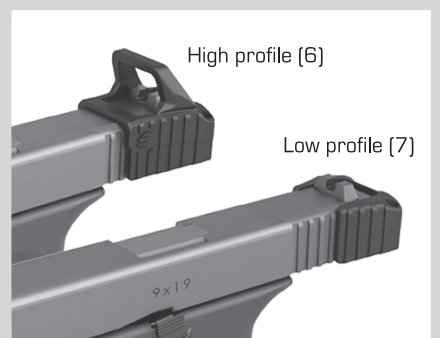
Step 3

- Choose between high [6] or low [7] profile.
- Lock slide to the rear.
- Install the two halves over the cocking serration with provided hardware.



Step 4

View of charging handle options installed on slide:



Step 7

Secure the two frame halves [5] by tightening the locking screw [4]. Tighten until the gap between the two halves on the lower picatinny



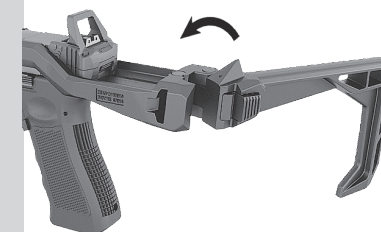
Step 8

Align the rear part of the TFA shroud with the front end of your 20/20



Step 11

To fold the buttstock [11], push the locking push button [10], swing the buttstock till it clicks and locks against the hinge on the frame [5].



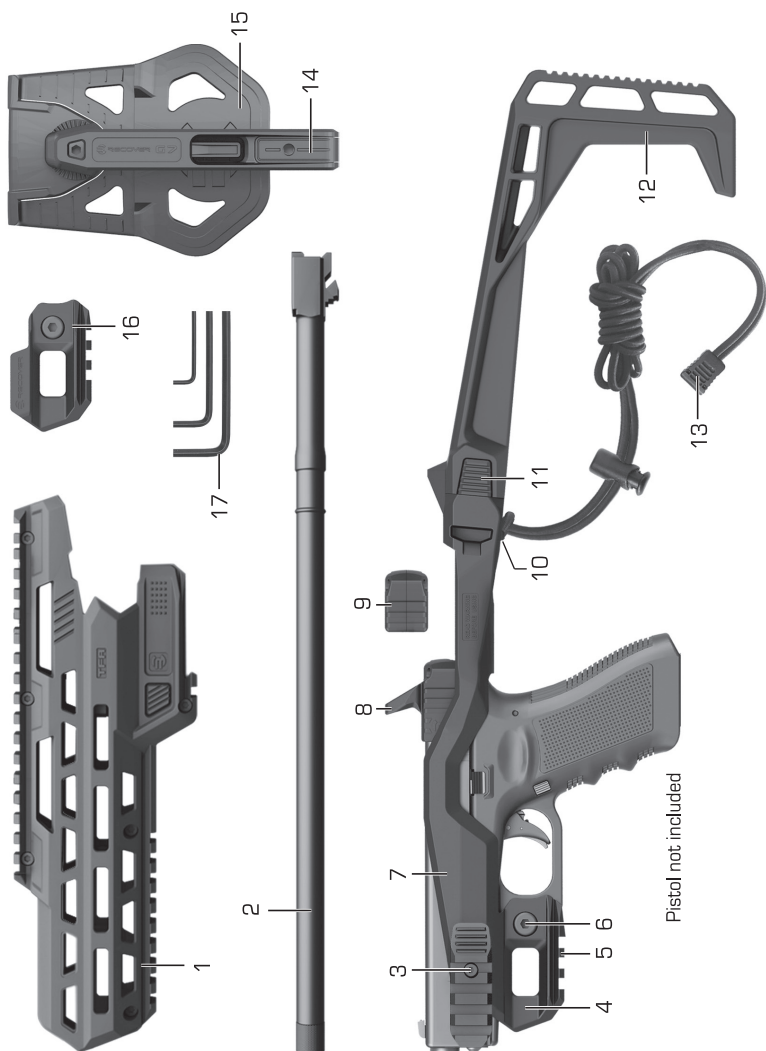
Step 12

To unfold the buttstock, hold the lever with your thumb and index, lift slightly and pull until the push button [10] locks.



114mm

250mm



- 1. TFA shroud
- 2. 16" Glock barrel
- 3. Side rails w/ thumb rests *
- 4. Integral holster adapter
- 5. Lower picatinny rail
- 6. Locking screw
- 7. Main frame
- 8. Charging handle (high profile)
- 9. Charging handle (low profile)
- 10. Sling attachment point
- 11. Arm brace locking push button
- 12. Folding buttstock
- 13. Sling *
- 14. G7 holster *
- 15. Paddle *
- 16. Pistol holster adapter *
- 17. Hex key set

* Standard on MG kit only

i For TFA KIT only please refer to articles 1-2

PARTS INDEX

118mm

Disclaimers:

Recover shall not be liable for personal injury from the use of its products, unless such injury was due to willful fault or neglect of Recover. Recover, assumes no responsibility for product malfunction, physical injury, or property damage, civil liability or criminal culpability resulting in whole or in part from misuse, criminal use, or negligent, improper, or careless handling, unauthorized modifications, unauthorized installation or assembly, abuse, neglect, or any other influences beyond Recover's control. Under no circumstances shall Recover be held liable for incidental or consequential damages with respect to economic loss, injury or property damage resulting from the breach of any express or implied warranty; this limitation does not apply to states that disallow the exclusion of consequential or incidental damages.

THERE ARE NO WARRANTIES, WHICH EXTEND BEYOND THE DESCRIPTION ON THE FACE HEREOF. THE IMPLIED WARRANTIES OF MERCHANTABILITY AND FITNESS FOR A PARTICULAR PURPOSE ARE EXPRESSLY DISCLAIMED.

ALL DISCLAIMERS AND LIMITATIONS OF LIABILITY SHALL STILL APPLY EVEN IF THE LIMITED REMEDY OF REPAIR AND REPLACEMENT FAILS OF ITS ESSENTIAL PURPOSE.

NFA WARNING:

With the 16" barrel installed, your 20/20 or 20/20N becomes a non-NFA item that does not require registration as an SBR.

The 20/20TFA Kit is ONLY meant to be used in conjunction with the 16" barrel installed on your pistol.

If you do not install the 16" barrel to your pistol then **INSTALLATION OF THE FOLLOWING:**

- 20/20 STABILIZER WITH BRACE KIT;
- THE STABILIZER BUTTSTOCK;
- THE CHEEK REST WITH THE 20/20 STABILIZER WITH BRACE KIT AND BE20 BUTT STOCK;
- THE 20/20 STABILIZER WITH BRACE KIT AND BUTTSTOCK;
- THE 20/20 SERIES FG20 ANGLED FORWARD GRIP;
- OR ANY VARIATION OF THE AFOREMENTIONED PRODUCTS IN COMBINATION ON YOUR FIREARM MAY CHANGE ITS CLASSIFICATION TO A SHORT-BARRELED RIFLE (SBR) OR AN ANY OTHER WEAPONS (AOW) SUBJECT TO ALL THE REQUIREMENTS OF THE NATIONAL FIREARMS ACT (NFA) EVEN IF THE AFOREMENTIONED ITEMS ARE NOT INSTALLED ON YOUR FIREARM THE ACTUAL OR CONSTRUCTIVE POSSESSION OF THESE ITEMS MAY CONSTITUTE A SBR OR AOW WHICH MAY NOT BE LAWFULLY POSSESSED UNLESS IT IS REGISTERED PER NFA LAWS. IT IS YOUR RESPONSIBILITY TO FAMILIARIZE YOURSELF WITH AND ENSURE YOU REMAIN IN COMPLIANCE WITH ALL LOCAL, STATE AND FEDERAL LAWS ALONG WITH ALL NFA RULES/REGULATIONS REGARDING THE POSSESSION, INSTALLATION AND USE OF THE AFOREMENTIONED ITEMS BY THEMSELVES OR IN COMBINATION. VIOLATIONS OF BATFE REGULATIONS AND LOCAL, STATE AND FEDERAL LAWS CARRY SERIOUS CRIMINAL AND CIVIL PENALTIES. YOU ARE STRONGLY ENCOURAGED TO SEEK LEGAL ADVICE PRIOR TO PURCHASE IF YOU HAVE ANY QUESTIONS.

WARNING:

At all times the first concern of every firearm owner should be safety. Follow all instructions on the proper handling and safe use of this product, or any, firearm accessory. If you feel uncertain about any operational aspects of your Recover 20/20 Stabilizer Kit, please contact us BEFORE proceeding with its operation. If you are unfamiliar with the proper use of firearm arm braces, you should seek formal training BEFORE using the Recover 20/20 Stabilizer Kit. Recover Innovations Inc. strongly recommends a certified armorer install the Recover 20/20 Stabilizer Kit.

YOU MUST FOLLOW ALL OF THESE SAFETY RULES TO ENSURE THE SAFE USE OF YOUR RECOVER 20/20 STABILIZER KIT. THE FAILURE TO FOLLOW THE INSTRUCTIONS AND WARNINGS IN THIS MANUAL, OR IF THIS PRODUCT is carelessly or improperly handled, INJURY OR DEATH COULD RESULT TO YOU OR OTHERS AND/or damage to property.



WWW.RECOVERTACTICAL.COM

CONTACT INFO AND RECOVER CUSTOMER SERVICE: IF YOU HAVE ANY QUESTIONS ABOUT OUR PRODUCTS, PLEASE CONTACT OUR CUSTOMER SUPPORT TEAM AT: EMAIL: SERVICE@RECOVERTACTICAL.COM FOR WHOLESALE INQUIRIES PLEASE EMAIL: WHOLESALE@RECOVERTACTICAL.COM

118mm

USER MANUAL

20/20 TFA

CUSTOM DESIGN PISTOL CARBINE FOR 16" GLOCK GUN BARREL



The TFA is only to be used with 8" (and above) barrel length installed

copyright Recover Tactical 2024 all right reserved

Model list:

20/20 TFA is COMPATIBLE WITH THE GLOCK PISTOLS LISTED Below With a 16" Barrel installed

ALL GENERATIONS - G17, G19, G19X, G24, G31, G32, G34, G45

GENERATIONS 1-4 - G22, G23, G24, G35

GENERATION 5 - .40 caliber G22, G23, G24, G35 20/20N STABILIZER IS COMPATIBLE With the Gen 5 Frame, but THE UCH17 CHARGING HANDLE IS NOT COMPATIBLE With the Gen 5 Slide

The UCH17 Charging Handle is NOT COMPATIBLE with RTF "Moon Cut" slides and is only COMPATIBLE with OEM Glock slides



WARNING! Unload your pistol before any assembly or disassembly of the 20/20N stabilizer kit.

250mm